

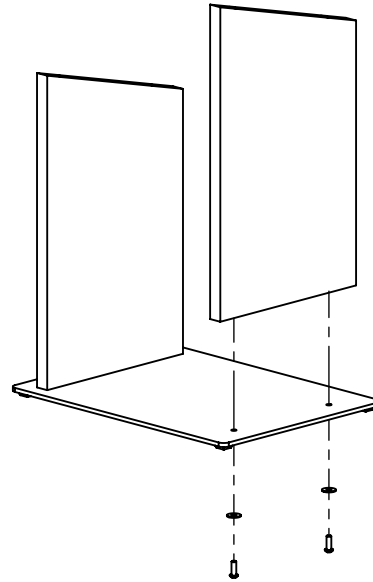
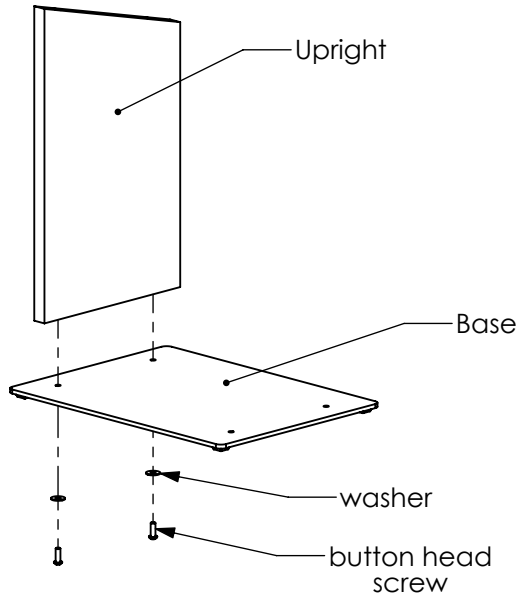
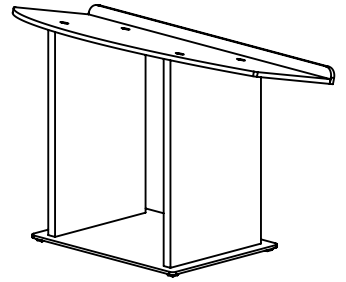
LCTDSKDAC Assembly Instructions

Pieces:

- (1) Top w/ Lip
- (1) Base
- (2) Uprights

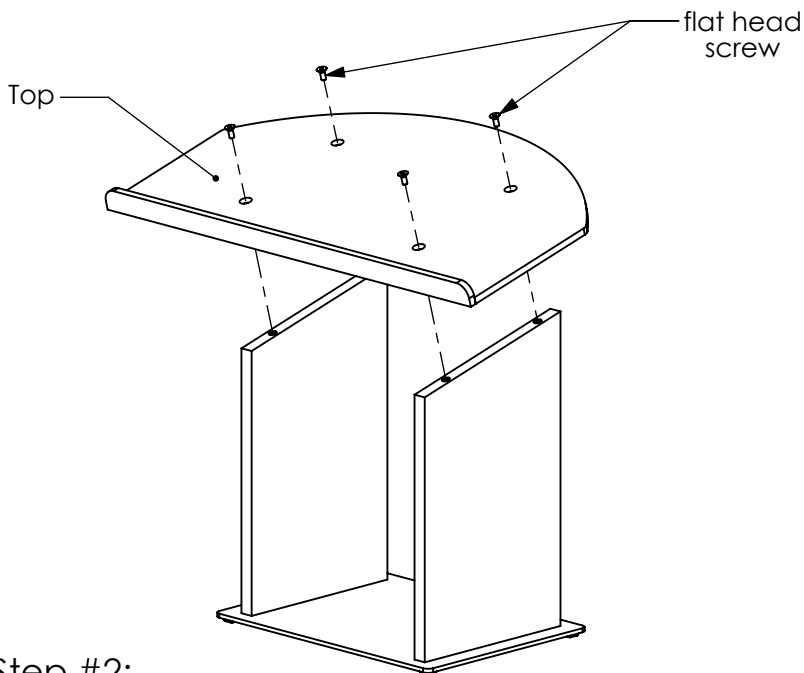
Hardware:

- (4) Button Head Screws
- (4) Washers
- (4) Flat Head Screws
- (1) Allen Key



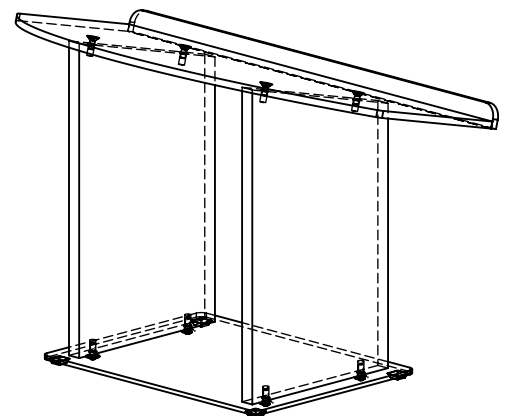
Step #1:

Using the provided allen key, attach the Uprights to the Base with the (4) button head screws & washers. With the washers on, push the button head screws up through the bottom of the Base and thread them into the metal inserts found on the bottom flat surface of the Uprights.



Step #2:

Using the provided allen key, attach the Top to the Uprights with the (4) flat head screws. Push the flat head screws through the top side of the Lectern Top and thread them into the metal inserts found on the angled-cut flat surface of the Uprights.



LCTDSKDAC